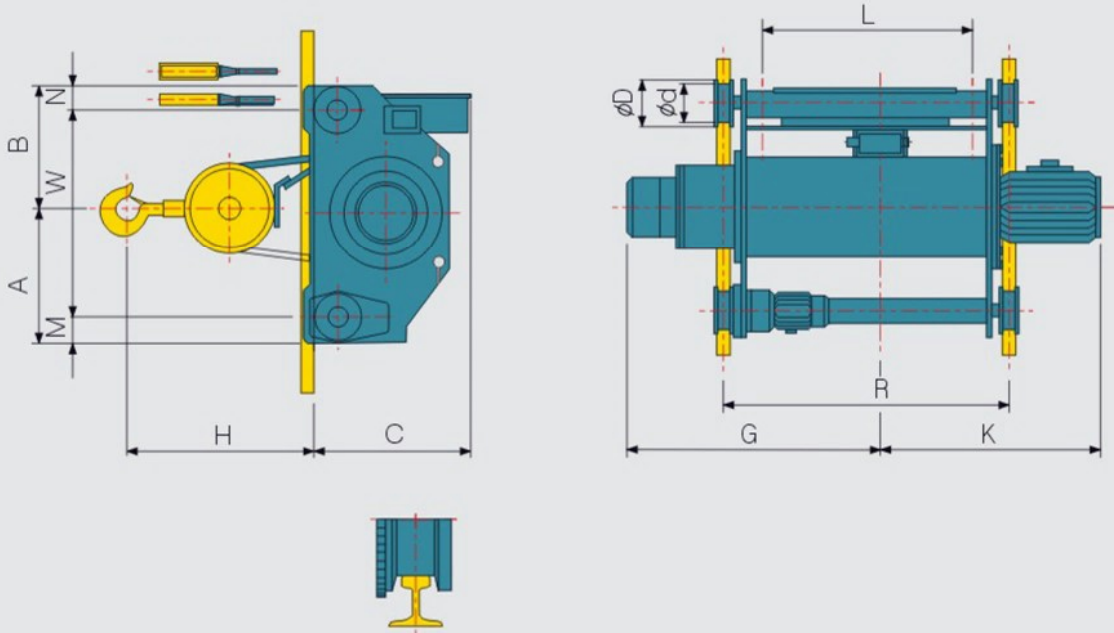


Double-Rail Type Hoist With MOTOR-DRIVEN Trolley

WIRE
HOIST

Ordinary Hoist



Tables of Dimensions

Capacity (ton)		7.5	10	15	20	30	
Model		KDWD 7.5	KDWD 10	KDWD 15	KDWD 20	KFD 30	
Hoisting Lift (m)		12	12	12	12	12	
Hoisting	Speed(m/min)	High speed 50/60(Hz)	3.1/3.8	3.7/4.5	3.7/4.5	3.5/4.2	2.3/2.8
		Low speed 50/60(Hz)	2.3/2.8	2.5/3	2.5/3	2.3/2.8	1.5/1.8
	Motor(KwXP)	High speed	5.5 X 6	9 X 8	13 X 8	17 X 8	17 X 8
		Low speed	4.2 X 8	6 X 12	8.5 X 12	11.5 X 12	11.5 X 12
Brake		D.C Magnetic Disc Brake					
Traversing	Traversing Speed (m/min)	High speed 50/60(Hz)	12.5/15	12.5/15	12.5/15	12.5/15	12.5/15
		Low speed 50/60(Hz)	8.3/10	8.3/10	8.3/10	8.3/10	8.3/10
	Traversing Motor (KwXP)	High speed	0.75 X 4	0.75 X 4	1.5 X 4	1.5 X 4	1.5 X 4 (2 Units)
		Low speed	0.75 X 6	0.75 X 6	1.0 X 6	1.0 X 6	1.0 X 6 (2 Units)
Wire rope DIA(mm) No. Of Falls		14ϕX 4	16ϕX 4	20ϕX 4	22.4ϕX 4	22.4ϕX 4	
Approx. Dimensions(mm)	H	730	775	995	1175	1790	
	R	1150	1150	1200	1300	1800	
	A	525	565	625	670	940	
	B	480	510	555	615	940	
	C	550	670	850	870	935	
	G	935	975	1075	1165	1425	
	K	835	955	1005	1195	1455	
	W	800	865	920	1000	1540	
	L	850	850	870	935	1420	
	M	110	110	130	140	180	
	N	95	100	130	140	160	
ϕd	165	165	180	220	250		
ϕD	195	195	210	250	280		
RAIL (kg/m)		15	15	22	22	30	
Approx.Weight(kg)		900	1200	1850	2300	3450	

[정밀수치를 요하는 현장은 당사에 사전 확인바랍니다. If minute dimension is required on the side. It should be informed to us in advance.